

# KMDA INCORPORATED

Assembly Instructions

## ICERUNNER ESCAPE



ESCAPE ICE RUNNER FISH HOUSE

Thank you for purchasing one of the newest, lightest and most versatile houses on the market. We feel you will be completely satisfied with your purchase.

## **WARRANTY**

This product comes with a 1 year warranty for any manufacturer's defects. This warranty does not cover damage or wear from unintended use of the product. Warranty is non-transferable and all claims must be accompanied with an original, dated receipt.

Free replacement windows are provided for the life of the house.

For warranty help please contact KMDA, Inc. by one of the following methods.

### **By Phone:**

(218) 245-3040, Mon-Fri, 9am to 4pm CST

### **By Mail:**

KMDA, Inc.

PO Box 509

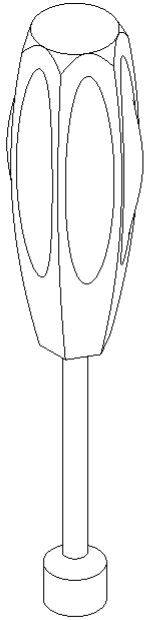
Bovey, MN 55709

## **LIMITATION OF LIABILITY**

KMDA, Inc. is not liable for any injury, loss, damage or expense, direct or consequential, from the use or misuse of this product. Liability is limited to repair and replacement of parts as stated by the terms in the warranty.

## TOOLS NEEDED

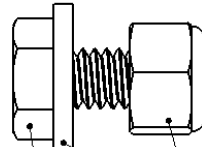
NUT DRIVER COMES WITH ICE HOUSE



WRENCH COMES WITH ICE HOUSE



## HARDWARE



**x4**

PART# 117 NY-LOCK HEX NUT 1/4"-20 UNC X 7/16"

PART# 128 FLAT WASHER FOR 1/4" BOLT

PART# 116 HEX HEAD CAP SCREW 1/4"-20 UNC X 5/8"

APPROXIMATE ASSEMBLY TIME:  
20-30 minutes.

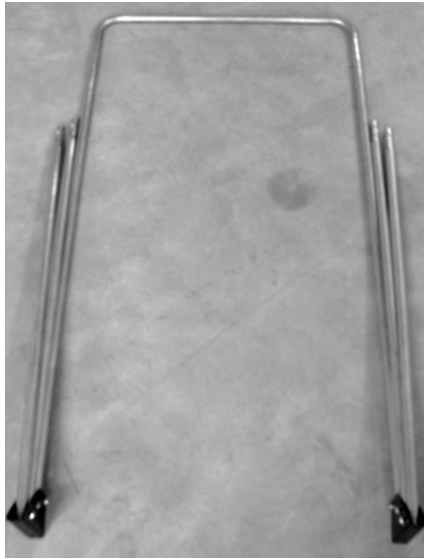
The pre-assembled frame brackets are strapped on the outside of the sled, all other parts are inside of the sled.



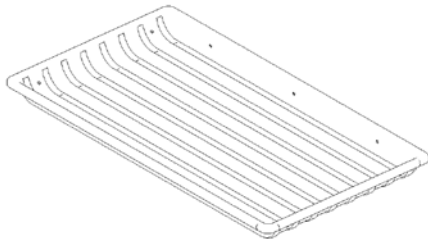
**ATTENTION:** IF YOU PLAN TO INSTALL THE OPTIONAL HYFAX KIT, DO THIS BEFORE STARTING STEP 1.

# STEP 1: Attaching Brackets to Sled

ATTACH THE PRE-ASSEMBLED BRACKET AND FRAME POLES TO THE SLED USING THE PROVIDED HARDWARE. **\*\*NOTE THE WASHER IS AGAINST THE UNDERSIDE OF THE PLASTIC SLED.\*\***



PRE-ASSEMBLED BRACKET/FRAME  
PART# 151



ESCAPE SLED  
PART #150



INSTALLING BRACKETS ONLY NEEDS TO BE DONE ONCE (**NOTE THE ORIENTATION OF THE BRACKET**)

QTY.	P/N	DESCRIPTION
1	150	ESCAPE SLED
1	151	PRE-ASSEMBLED BRACKET/FRAME
4	116	HEX HEAD CAP SCREW ¼"-20 UNC X 5/8"
4	117	NY-LOCK HEX NUT ¼"-20 UNC X 7/16"
4	128	FLAT WASHER FOR ¼" BOLT

## STEP 2: Installing Center Poles

INSTALL THE UPPER FRAME HOOPS OVER THE LOWER FRAME POLES. HOOPS LOCK INTO PLACE WITH PUSH BUTTONS.

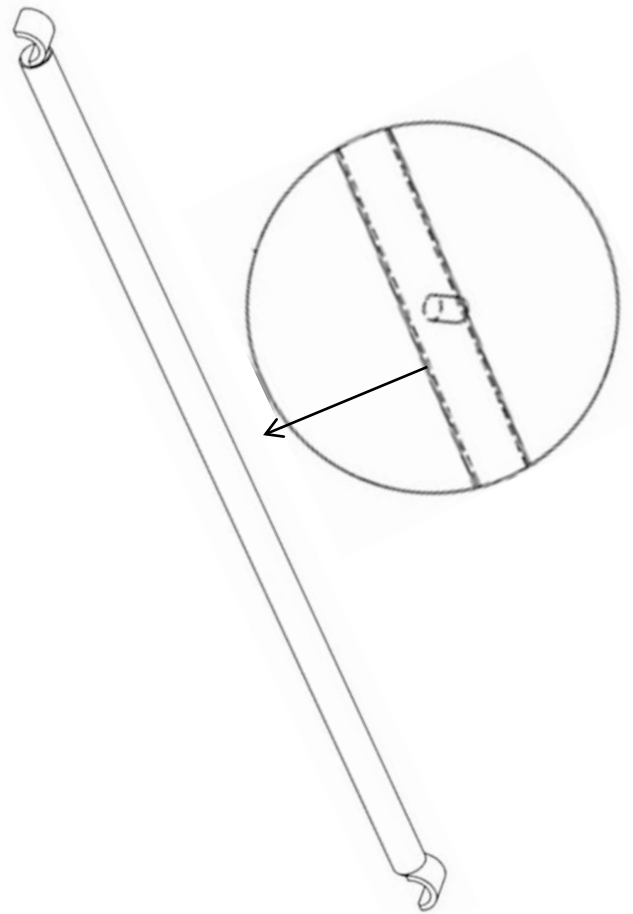
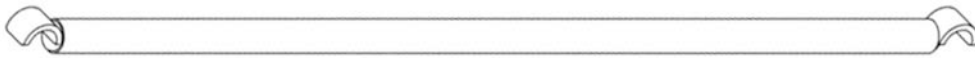


QTY.	P/N	DESCRIPTION
2	152	UPPER FRAME HOOP

INSTALLING CENTER HOOPS ONLY NEEDS TO BE DONE ONCE

# STEP 3: Installing Support Bars

INSTALL THE FRONT AND CENTER SUPPORT POLES AS SHOWN.  
The rear support pole does not need to be installed to proceed.

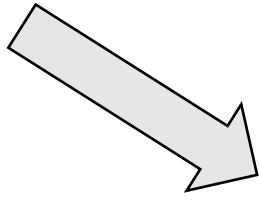


QTY.	P/N	DESCRIPTION
1	153	2 PART FRONT SUPPORT POLE
1	154	CENTER SUPPORT POLE
1	155	REAR SUPPORT POLE

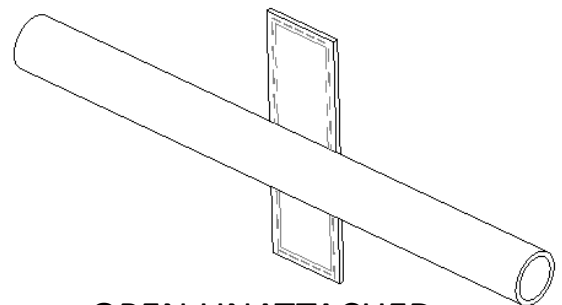
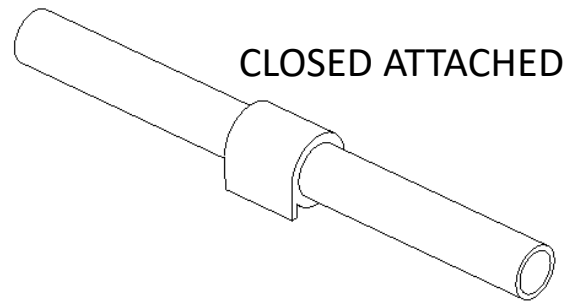
FRONT POLE IS COLLAPSIBLE FOR  
TAKE DOWN AND PLACEMENT  
IN SLED

# STEP 4: Attaching the Canvas

INSTALL CANVAS COVER OVER THE ASSEMBLED FRAME. ATTACH ALL VELCRO STRAPS INSIDE.



Door this side



QTY.	P/N	DESCRIPTION
1	156	ESCAPE COVER

OPEN UNATTACHED

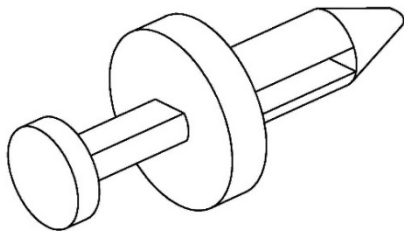
VELCRO STRAPS ON INSIDE OF COVER ATTACH TO POLES

# STEP 5: Connecting the Skirt

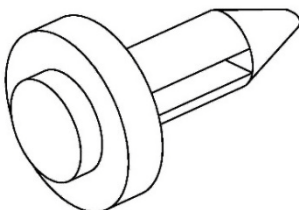
FLAPS ON 3 EDGES PLACE TO INSIDE OF SLED AND LOCATE HOLES. PUSH IN PLASTIC PINS



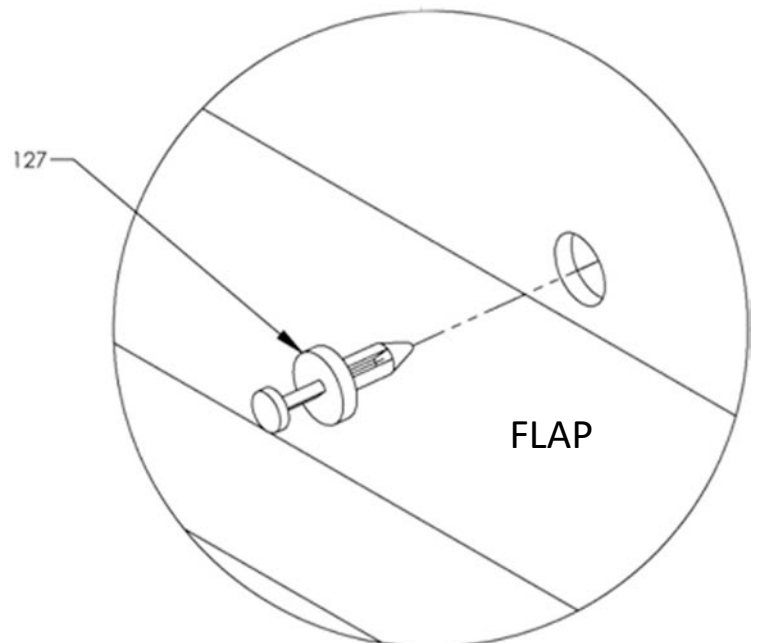
QTY.	P/N	DESCRIPTION
10	127	PLASTIC PUSH PIN



BEFORE INSERTING



AFTER INSERTING





# SETTING UP AND TAKING DOWN THE FISH HOUSE

1. The Escape, once assembled, is a simple flip-and-run shelter. The house flips up and down in seconds. The provided support bars are optional, but can be added to increase the rigidity of the house and for windy conditions.
2. Before moving, tuck all of the canvas fabric and the skirt into the sled.
3. The provided cover helps secure gear and helps contain the fabric.

## SAFE USE and WARNINGS

Read and follow all instructions for safe use. Failure to do so could result in serious injury or death.



DO NOT USE OPEN FLAME HEATERS IN THIS ICE SHELTER. THE FABRIC IS NOT FIREPROOF AND CAN MELT IF IT CONTACTS A HOT SURFACE.



ASPHYXIATION MAY RESULT FROM OXYGEN DEPLETING HEATERS. MAKE SURE FISH HOUSE VENTS ARE OPEN WHEN IN USE.



DO NOT LEAVE SHELTER UNATTENDED. IF USED AT NIGHT, MAKE SURE THERE ARE REFLECTORS VISIBLE ON ALL SIDES OF THE SHELTER TO PREVENT COLLISIONS.

# PRECAUTIONS

To protect your fish house and insure a long life it is important to following these guidelines:

- 1. Do NOT pack gear on top of the fabric cover.** Sharp edges and the substantial weight of items like: ice augers, heaters, propane tanks, and chisels can damage the fabric.
- 2. Do NOT allow gear to sit on the fabric inside of the sled.** Gear should only be placed on the bottom of the sled when transporting.
- 3. Keep the fabric out of the framework and hinge brackets when putting up or taking down the shelter.** The fabric can be damaged if it is pinched in between.
- 4. Make sure the canvas and skirt of the fish house is tucked into the sled and under the sled cover. This is especially important when dragging or hauling the sled behind an ATV or snowmobile. THE SKIRT WILL BE DAMAGED IF IT HANGS OUT!**
- 5. Use caution and common sense when pulling the shelter behind an ATV or snowmobile on roads, trails, and the frozen lake.** The rough nature of the terrain can lead to major damage if the shelter is abused.
- 6. Keep heat sources away from the fabric.** The nylon fabric can melt or lose its protective coating if a heater is too close.
- 7. Be extremely careful with any fabric that becomes frozen to the ice.** Pulling fabric that is frozen to the ice will most likely tear. Loosen carefully before pulling.
- 8. Dry out the shelter after each use and before storing.** Moisture will reduce the lifespan of any fabric, whereas, a well cared for and dried canvas will last for years.

# ICE RUNNER ACCESSORIES

KMDA, Inc. provides many accessories to help you get the most out of your new fish house. We recommend the following items:

## LAKCO Ice Anchors



SA1

SA2

**ICE RUNNER**

### SLED HITCH

ATTACHES TO ANY SNOWMOBILE OR ATV RECEIVER HITCH

- The Perfect Complement to your Ice Runner Fish House
- Heavy-duty construction; Built to last
- Attaches to any snowmobile or ATV receiver hitch
- Hinging tow bar folds over for easy hauling and storage
- Universal design can be adapted to most sleds

MADE IN CHINA

DISTRIBUTED BY  
KMDA, P.O. BOX 509, BOVEY, MN 55709

**ICE RUNNER**

### HYFAX KIT

A Perfect Fit for IceRunner Fish Houses!

- Improves sled tracking.
- Prevents wear to sled bottom.
- High density black plastic is more UV resistant.
- Includes stainless steel mounting hardware.
- Can be adapted to most sleds.

MADE IN CHINA

DISTRIBUTED BY  
KMDA, P.O. BOX 509, BOVEY, MN 55709

**EXPLORER READY KIT:**  
INCLUDES 4 STRIPS 55" LONG

**EXPEDITION READY KIT:**  
INCLUDES 5 STRIPS 74" LONG

Find these items at your local retailer, or visit:

[www.kmdainc.com](http://www.kmdainc.com)

For a complete selection of all our great products.

**KMDA  
INCORPORATED**



[www.kmdainc.com](http://www.kmdainc.com)